

PITCH 0.5mm FPC CONNECTOR SMT TYPE

Down-contact

性能:

额定电流: 0.4A
 额定电压: 50V
 耐电压: 200V
 接触电阻: $\leq 20m\Omega$
 绝缘电阻: 500M Ω
 工作温度: -20°C ~ +85°C

塑件 (材质): LCP, UL94V-0
 锁扣 (材质): PPS, UL94V-0
 插簧 (材质): 磷青铜, 镀锡/镀金
 焊片 (材质): 磷青铜, 镀锡/镀金

注:

"▲"处尺寸为

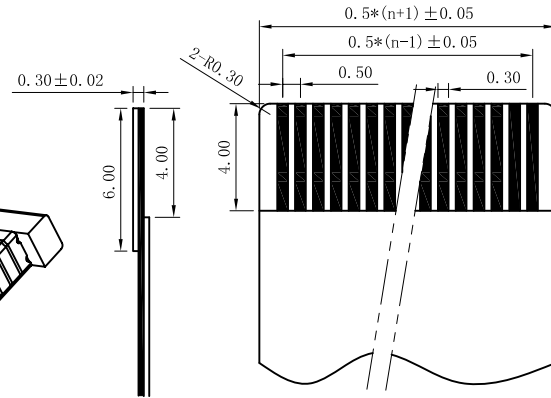
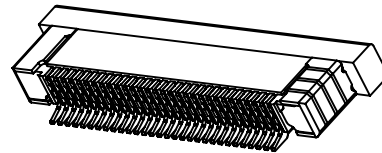
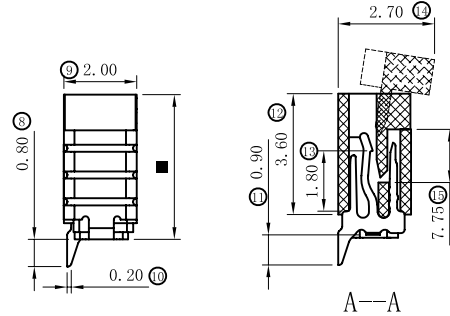
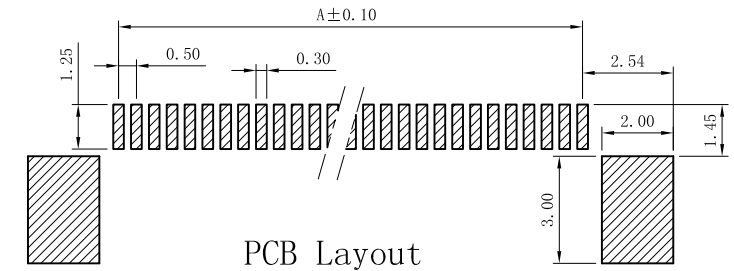
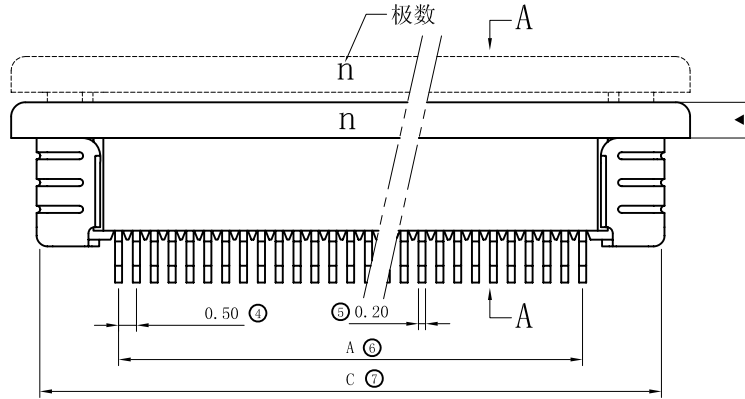
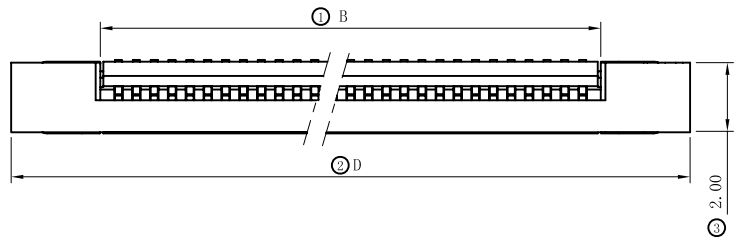
4Pin~29Pin: 1.50mm;
 30Pin~39Pin: 1.60mm;
 40Pin~60Pin: 1.70mm;

注:

"■"处尺寸为

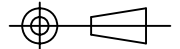
4Pin~29Pin: 4.70mm;
 30Pin~39Pin: 4.80mm;
 40Pin~60Pin: 4.90mm;

注: 当PIN数为30PIN以下时, 锁扣材质为PPS.
 当PIN数为30PIN以上时, 锁扣材质为LCP



适用扁平电缆

孔位	A	B	C	D
4	1.50	2.60	6.35	7.65
5	2.00	3.10	6.85	8.15
6	2.50	3.60	7.35	8.65
7	3.00	4.10	7.85	9.15
8	3.50	4.60	8.35	9.65
9	4.00	5.10	8.85	10.15
10	4.50	5.60	9.35	10.65
11	5.00	6.10	9.85	11.15
12	5.50	6.60	10.35	11.65
13	6.00	7.10	10.85	12.15
14	6.50	7.60	11.35	12.65
15	7.00	8.10	11.85	13.15
16	7.50	8.60	12.35	13.65
17	8.00	9.10	12.85	14.15
18	8.50	9.60	13.35	14.65
19	9.00	10.10	13.85	15.15
20	9.50	10.60	14.35	15.65
21	10.00	11.10	14.85	16.15
22	10.50	11.60	15.35	16.65
23	11.00	12.10	15.85	17.15
24	11.50	12.60	16.35	17.65
25	12.00	13.10	16.85	18.15
26	12.50	13.60	17.35	18.65
27	13.00	14.10	17.85	19.15
28	13.50	14.60	18.35	19.65
29	14.00	15.10	18.85	20.15
30	14.50	15.60	19.35	20.65
31	15.00	16.10	19.85	21.15
32	15.50	16.60	20.35	21.65
33	16.00	17.10	20.85	22.15
34	16.50	17.60	21.35	22.65
35	17.00	18.10	21.85	23.15
36	17.50	18.60	22.35	23.65
37	18.00	19.10	22.85	24.15
38	18.50	19.60	23.35	24.65
39	19.00	20.10	23.85	25.15
40	19.50	20.60	24.35	25.65
41	20.00	21.10	24.85	26.15
42	20.50	21.60	25.35	26.65
43	21.00	22.10	25.85	27.15
44	21.50	22.60	26.35	27.65
45	22.00	23.10	26.85	28.15
46	22.50	23.60	27.35	28.65
47	23.00	24.10	27.85	29.15
48	23.50	24.60	28.35	29.65
49	24.00	25.10	28.85	30.15
50	24.50	25.60	29.35	30.65
51	25.00	26.10	29.85	31.15
52	25.50	26.60	30.35	31.65
53	26.00	27.10	30.85	32.15
54	26.50	27.60	31.35	32.65
55	27.00	28.10	31.85	33.15
56	27.50	28.60	32.35	33.65
57	28.00	29.10	32.85	34.15
58	28.50	29.60	33.35	34.65
59	29.00	30.10	33.85	35.15
60	29.50	30.60	34.35	35.65

GENERAL TOLERANCE		DWG.NO.	0.5K-AX-nPWB	PART.NO.	0.5K-AX-nPWB	DRAWN	lixiaoli 12/24'07	UNIT	mm	SCALE	NO SCALE
x. ± 0.30	x. ± 5°	REV.	A	TITLE	0.5mm FPC (A型)下接	CHECKED	曾广明 2007.12.24	www.FindLCD.com			
.x ± 0.25	.x ± 2°	SIZE		SHEET	1 / 1	APPROVED	曾广明 2007.12.24				
.xx ± 0.20	.xx ± 1°	A4									